

ECE276B: Planning & Learning in Robotics

Lecture 7: Anytime, Incremental, and Agent-centered Search

Lecturer:

Nikolay Atanasov: natanasov@ucsd.edu

Teaching Assistants:

Tianyu Wang: tiw161@eng.ucsd.edu

Yongxi Lu: yol070@eng.ucsd.edu

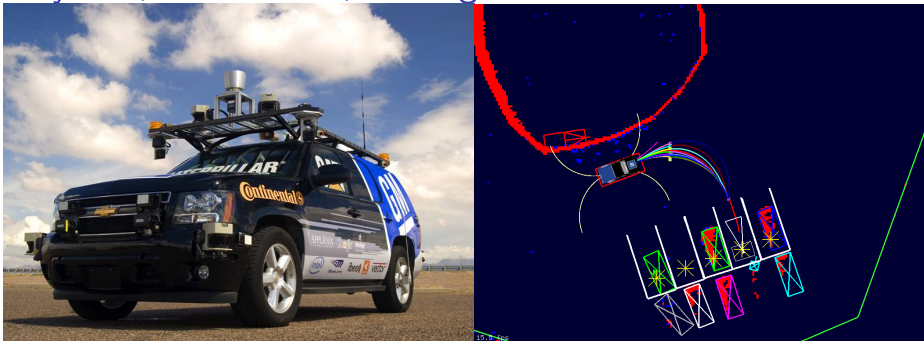
UC San Diego

JACOBS SCHOOL OF ENGINEERING
Electrical and Computer Engineering

Anytime, Incremental, and Agent-centered Search

- ▶ There are three important situations that happen in practice but our vanilla label correcting algorithms do not handle:
 1. How should we plan the best possible path in a given, fixed amount of time? (**Anytime Search**)
 2. How should we reuse a previous plan (rather than computing it from scratch) in a dynamic or partially known environment, where the edge costs c_{ij} change? (**Incremental Search**)
 3. How should we plan in really large environments, where it is impossible to compute the path all the way to the goal? (**Agent-centered Search**)

Anytime, Incremental, and Agent-centered Search



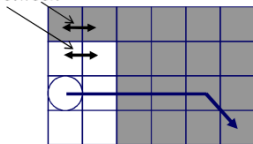
- ▶ CMU's autonomous car used anytime, incremental, agent-centered search (Anytime D*) in the DARPA Urban Challenge in 2007
- ▶ Likhachev and Ferguson, "Planning Long Dynamically Feasible Maneuvers for Autonomous Vehicles," IJRR'09
- ▶ Paper: <http://journals.sagepub.com/doi/pdf/10.1177/0278364909340445>
- ▶ Video: <https://www.youtube.com/watch?v=4hFh100i8KI>
- ▶ Video: <https://www.youtube.com/watch?v=qXZt-B7iUyw>

Agent-centered Search

Planning in Large Unknown Environments

- ▶ **Freespace Assumption:** unknown space is free – costs between unknown cells are the same as between free cells
- ▶ Move the robot on a shortest potentially unblocked path and replan whenever new sensor information is received

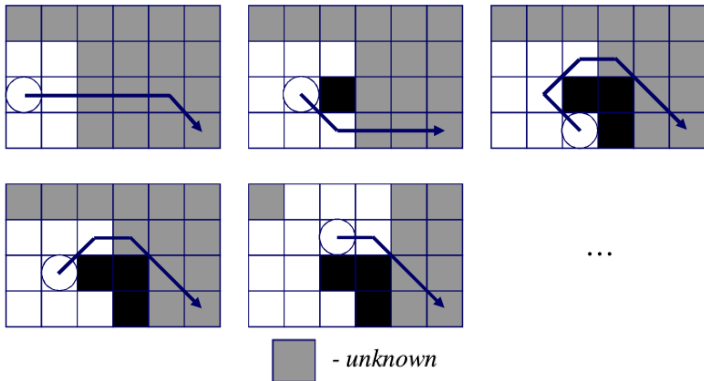
costs between unknown cells is the same as the costs in between cells known to be free



■ - unknown

Planning in Large Unknown Environments

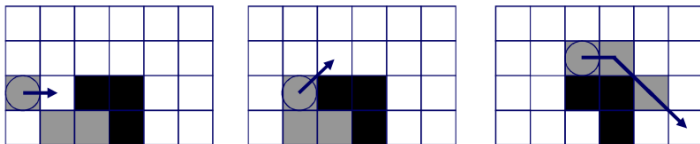
- ▶ A constantly updating map requires a **lot** of replanning!



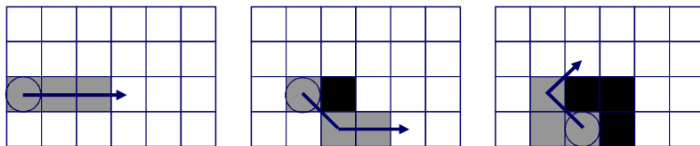
- ▶ Anytime incremental planning helps but what if the map is large and we cannot plan all the way to the goal even a single time?
- ▶ **Agent-centered Search**: places a strict limit on the amount of computation

Agent-centered Search

- ▶ Agent-centered search with a freespace assumption:
 1. Compute a partial path by expanding at most N nodes around the robot
 2. Move once, incorporate sensor information, and repeat
- ▶ Example in a known terrain:



- ▶ Example in an unknown terrain:



■ - *expanded*

- ▶ Research questions:
 - ▶ how to compute a partial path
 - ▶ how to guarantee that the goal is eventually reached
 - ▶ how to provide bounds on the number of steps before reaching the goal

Learning Real-Time A* (LRTA*)

- Repeatedly move to the most promising adjacent cell using a heuristic:

$$s = \arg \min_{j \in \text{Children}(s)} c_{sj} + h_j$$

- Example: $h_i = \max\{|x_i - x_\tau|, |y_i - y_\tau|\} + 0.4 \min\{|x_i - x_\tau|, |y_i - y_\tau|\}$

6.2	5.2	4.2	3.8	3.4	3
5.8	4.8	3.8	2.8	2.4	2
5.4	4.4	3.4	2.4	1.4	1
5	4	3	2	1	0

6.2	5.2	4.2	3.8	3.4	3
5.8	4.8	3.8	2.8	2.4	2
5.4	4.4		2.4	1.4	1
5	4	3	2	1	0

6.2	5.2	4.2	3.8	3.4	3
5.8	4.8	3.8	2.8	2.4	2
5.4	4.4			1.4	1
5	4	3		1	0

- Problem: this myopic behavior cannot overcome local minima!

6.2	5.2	4.2	3.8	3.4	3
5.8	4.8	3.8	2.8	2.4	2
5.4	4.4			1.4	1
5	4	3		1	0

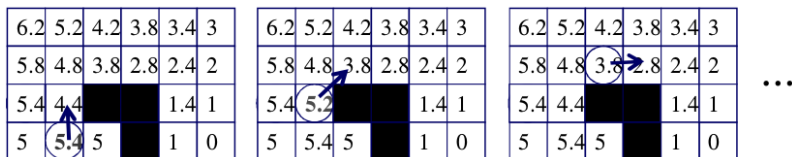
6.2	5.2	4.2	3.8	3.4	3
5.8	4.8	3.8	2.8	2.4	2
5.4	4.4			1.4	1
5	4	3		1	0

6.2	5.2	4.2	3.8	3.4	3
5.8	4.8	3.8	2.8	2.4	2
5.4	4.4			1.4	1
5	4	3		1	0

...

Learning Real-Time A* (LRTA*)

- ▶ **Idea:** the heuristic needs to be updated over time!
- ▶ Repeatedly move to the most promising adjacent cell using **and updating** a heuristic:
 1. Update: $h_s = \min_{j \in \text{Children}(s)} c_{sj} + h_j$
 2. Move: $s = \arg \min_{j \in \text{Children}(i)} c_{sj} + h_j$



- ▶ The heuristic updates make h more informed while ensuring it remains admissible and consistent
- ▶ The robot is guaranteed to reach the goal in a finite number of steps if:
 - ▶ All edge costs are bounded from below: $c_{ij} \geq \Delta > 0$
 - ▶ The graph is finite size and there exists a finite-cost path to the goal
 - ▶ All actions are reversible – ensures that we do not get stuck in a local min

Learning Real-Time A* (LRTA*)

- ▶ LRTA* is related to limited-horizon A* ($N = 1$) because it makes a move towards the node j in OPEN with smallest $g_j + h_j = c_{sj} + h_j$ value
- ▶ LRTA* with $N \geq 1$ expands:
 1. Expand N nodes
 2. Update h -values of expanded nodes via Dynamic Programming (necessary to guarantee that the goal is reached):
 - ▶ Initialize: $h_i = \infty$ for all i in CLOSED
 - ▶ Repeat: $h_i = \min_{j \in \text{Children}(i)} (c_{ij} + h_j)$
 3. Move on the path to state $j^* = \arg \min_{j \in \text{OPEN}} g_j + h_j$. This node minimizes the cost to it plus the heuristic estimate of the remaining distance to the goal, i.e., it looks promising in terms of the whole path from the current robot state to the goal.

Example: Learning Real-Time A* (LRTA*)

8	7	6	5	4
7	6	5	4	3
6	5	4	3	2
5	4		2	1
4	3	2		0

(a) 4-connected grid with Manhattan heuristic

8	7	6	5	4
7	6	5	4	3
6			3	2
			2	1
		2		0

(b) Expand $N = 7$ nodes

8	7	6	5	4
7	6	5	4	3
6			3	2
			2	1
		2		0

(c) Unexpanded node with smallest $f = 5 + 3$ value

- *expanded*

Example: Learning Real-Time A* (LRTA*)


- Update h -values of expanded nodes via Dynamic Programming

$$h_i = \min_{j \in \text{Children}(i)} (c_{ij} + h_j)$$

8	7	6	5	4
7	6	5	4	3
6	∞	∞	3	2
∞	∞		2	1
∞	∞	∞		0

8	7	6	5	4
7	6	5	4	3
6	∞	4	3	2
∞	∞		2	1
∞	∞	∞		0

8	7	6	5	4
7	6	5	4	3
6	5	4	3	2
∞	∞		2	1
∞	∞	∞		0

 - *expanded*

Example: Learning Real-Time A* (LRTA*)


- Update h -values of expanded nodes via Dynamic Programming

$$h_i = \min_{j \in \text{Children}(i)} (c_{ij} + h_j)$$

8	7	6	5	4
7	6	5	4	3
6	5	4	3	2
∞	6		2	1
∞	∞	∞		0

8	7	6	5	4
7	6	5	4	3
6	5	4	3	2
7	6		2	1
∞	∞	∞		0

8	7	6	5	4
7	6	5	4	3
6	5	4	3	2
7	6		2	1
∞	7	∞		0

 - *expanded*

Example: Learning Real-Time A* (LRTA*)

► Repeat:

1. Expand N nodes
2. Update h -values of expanded nodes by Dynamic Programming
3. Make one move along the shortest path to the unexpanded node in OPEN with smallest f value

8	7	6	5	4
7	6	5	4	3
6	5	4	3	2
7	6	■	2	1
8	7	∞	■	0

8	7	6	5	4
7	6	5	4	3
6	5	4	3	2
7	6	■	2	1
8	7	8	■	0

8	7	6	5	4
7	6	5	4	3
6	5	4	3	2
7	6	■	2	1
8	7	8	■	0

Arrows indicate a path from node (row, col) (2,3) to (3,3), (3,2), (3,1), (2,1), (2,2), (2,3).

■ - *expanded*

Real-time Adaptive A* (RTAA*)

- ▶ RTAA* with $N \geq 1$ expands
 1. Expand N nodes
 2. Update h -values of expanded nodes i by $h_i = f_{j^*} - g_i$ where $j^* = \arg \min_{j \in OPEN} g_j + h_j$ (only a single pass through the nodes in CLOSED!)
 3. Move on the path to state $j^* = \arg \min_{j \in OPEN} g_j + h_j$

▶ **Proof of admissability:** $J_{i,\tau}^* \geq J_{s,\tau}^* - g_i \geq f_{j^*} - g_i = h_i$

8	7	6	5	4
7	6	5	4	3
6	5	4	3	2
5	4		2	1
4	3	2		0

(a) 4-connected grid with Manhattan heuristic

8	7	6	5	4
7	6	5	4	3
6			3	2
			2	1
		1		0

(b) Expand $N = 7$ states

8	7	6	5	4
7	6	5	4	3
6			3	2
			2	1
		1		0

(c) Unexpanded state with smallest $f = 5 + 3 = 8$


Real-time Adaptive A* (RTAA*)

- ▶ Unexpanded state j^* with smallest $f_{j^*} = 8$
- ▶ Update h -values of expanded nodes: $h_i = f_{j^*} - g_i$

8	7	6	5	4
7	6	5	4	3
6	g=3	g=4	3	2
g=3	g=2		2	1
g=2	g=1	g=0		0

8	7	6	5	4
7	6	5	4	3
6	8-3	8-4	3	2
8-3	8-2		2	1
8-2	8-1	8-0		0

8	7	6	5	4
7	6	5	4	3
6	5	4	3	2
5	6		2	1
6	7	8		0

 - *expanded*

LRTA* vs RTAA*

8	7	6	5	4
7	6	5	4	3
6	5	4	3	2
7	6		2	1
8	7	8		0

(a) LRTA*

8	7	6	5	4
7	6	5	4	3
6	5	4	3	2
5	6		2	1
6	7	8		0

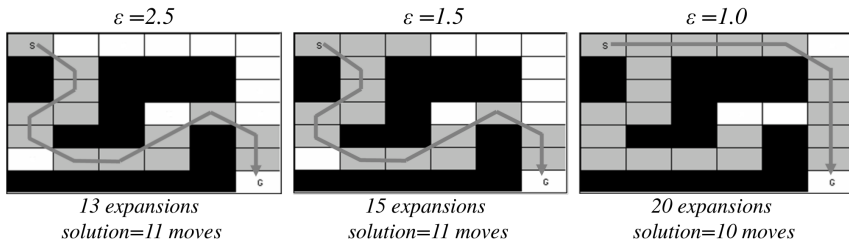
(b) RTAA*

- ▶ Update of h -values in RTAA* is much faster but not as informed
- ▶ Both guarantee admissible and consistent heuristics
- ▶ Heuristics are monotonically increasing for both
- ▶ Both guarantee that the goal is reached in a finite number of steps (given the conditions listed previously)

Anytime Search

Anytime Search

- ▶ **Objective:** return the best plan possible within a fixed planning time
- ▶ **Idea:** run a series of weighted A* searches with decreasing ϵ :



- ▶ This is inefficient because many labels (g -values) remain the same between search iterations yet we are recomputing them from scratch
- ▶ **Anytime Repairing A* (ARA*):** an algorithm that is able to reuse the results from previous searches

Reusing Labels from a Previous Search

- ▶ **Idea:** mark nodes whose g -values have changed since the last expansion
- ▶ **v -value:** the g -value of a node at the time of its last expansion
 - ▶ $v_i = \infty$ for nodes that were never expanded
 - ▶ $g_j = \min_{i \in \text{Parents}(j)} v_i + c_{ij}$ for all nodes

Algorithm 1 A* that keeps track of inconsistent nodes

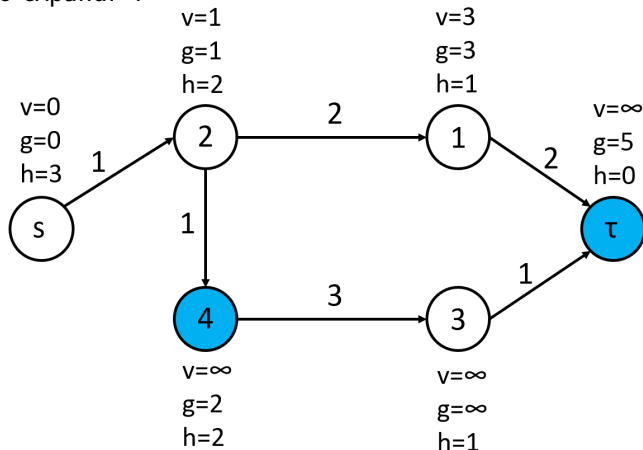
```
1: OPEN  $\leftarrow \{s\}$ , CLOSED  $\leftarrow \{\}$ ,  $\epsilon \geq 1$ 
2:  $g_s = 0$ ,  $g_i = \infty$  for all  $i \in \mathcal{V} \setminus \{s\}$ 
3:  $v_i = \infty$  for all  $i \in \mathcal{V}$ 
4: COMPUTEPATH()
5:
6: function COMPUTEPATH()
7:   while  $f_\tau > \min_{i \in \text{OPEN}} f_i$  do ▶  $\tau$  is not the most promising node yet
8:     Remove  $i$  with smallest  $f_i := g_i + \epsilon h_i$  from OPEN
9:     Insert  $i$  into CLOSED;  $v_i = g_i$ 
10:    for  $j \in \text{Children}(i)$  do
11:      if  $g_j > (g_i + c_{ij})$  then
12:         $g_j \leftarrow (g_i + c_{ij})$ 
13:        if  $j \notin \text{CLOSED}$  then insert  $j$  into OPEN
14:        otherwise insert  $j$  into INCONS } Ensure no node is expanded multiple times
```

Reusing Labels from a Previous Search

- ▶ **Consistent node:** a node i such that $v_i = g_i$
- ▶ **Overconsistent node:** a node i such that $v_i > g_i$
- ▶ All $i \in \text{OPEN}$ are overconsistent because $v_i = \infty > g_i$
- ▶ **Alternative view:** A^* expands overconsistent nodes in the order of their f -values
- ▶ All you need to do to make A^* reuse previous information is to initialize OPEN with all overconsistent nodes!
 - ▶ A^* (consistent heuristic): OPEN is initialized with the OPEN set from a previous search since a consistent heuristic ensures that all nodes in CLOSED remain consistent
 - ▶ Weighted A^* (ϵ -consistent heuristic): OPEN is initialized with the OPEN set from a previous search and all nodes in CLOSED whose g -values decreased after entering CLOSED (INCONS)

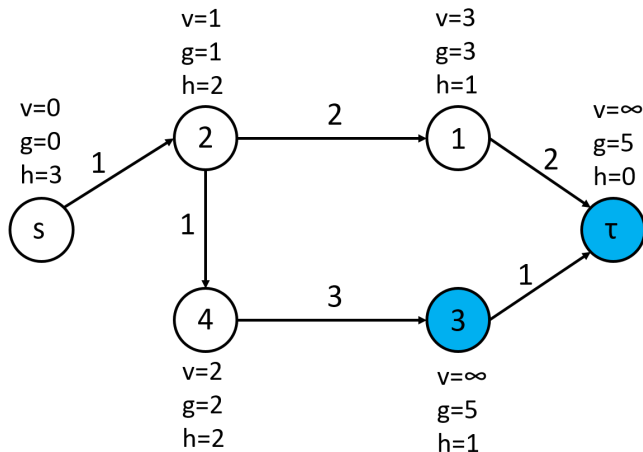
Example: Reusing Labels from a Previous Search

- ▶ OPEN contains all overconsistent nodes initially
- ▶ **Invariant** maintained throughout the search: $g_j = \min_{i \in \text{Parents}(j)} v_i + c_{ij}$
- ▶ $OPEN = \{4, \tau\}$
- ▶ $CLOSED = \{\}$
- ▶ Next to expand: 4



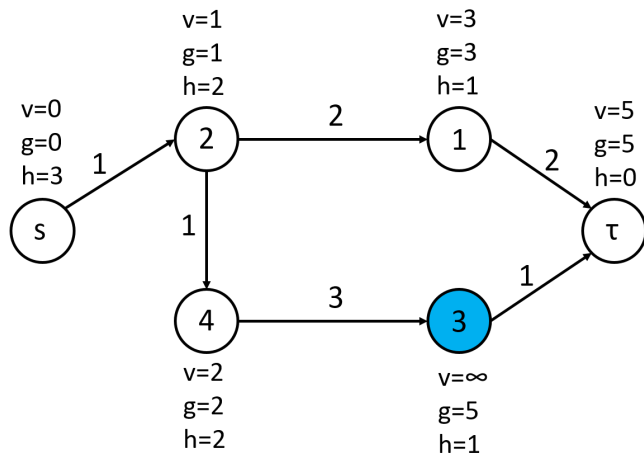
Example: Reusing Labels from a Previous Search

- ▶ $OPEN = \{3, \tau\}$
- ▶ $CLOSED = \{4\}$
- ▶ Next to expand: τ



Example: Reusing Labels from a Previous Search

- ▶ $OPEN = \{3\}$
- ▶ $CLOSED = \{4, \tau\}$
- ▶ Done



Anytime Repairing A* (ARA*)

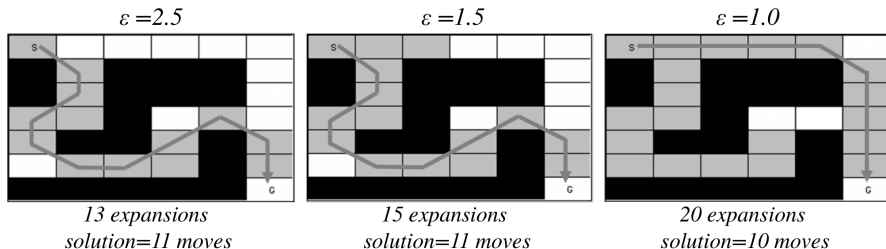
- ▶ Efficient series of weighted A* searches with decreasing ϵ
- ▶ Need to keep track of all overconsistent nodes = $OPEN \cup INCONS$

Algorithm 2 ARA*

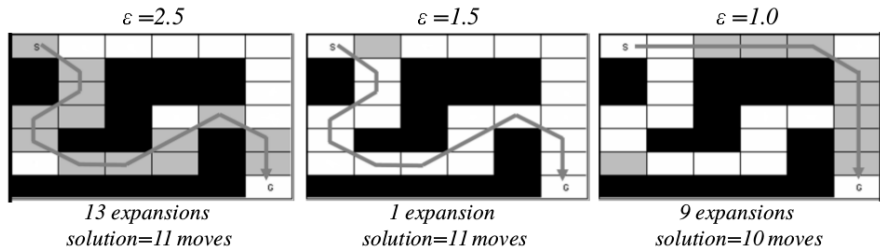
- 1: Set ϵ to large value
 - 2: $OPEN \leftarrow \{s\}$
 - 3: $g_s = 0, g_i = \infty$ for all $i \in \mathcal{V} \setminus \{s\}$
 - 4: $v_i = \infty$ for all $i \in \mathcal{V}$
 - 5: **while** $\epsilon \geq 1$ **do**
 - 6: $CLOSED \leftarrow \{\}; INCONS \leftarrow \{\}$
 - 7: $OPEN, INCONS \leftarrow \text{COMPUTEPATH}()$
 - 8: Publish current ϵ suboptimal solution
 - 9: Decrease ϵ
 - 10: $OPEN = OPEN \cup INCONS$ ▶ Initialize OPEN with all overconsistent nodes
-

Repeated A* vs ARA*

- ▶ A series of weighted A* searches (**no g-value reuse**)



- ▶ Anytime Repairing A* (**ARA***)



Incremental Search

Unknown, Dynamic Graphs

- ▶ So far, we have assumed that we know all edge costs and they don't change
- ▶ This is not the case in practice when the environment is partially unknown or changing
- ▶ **Naive solution:** recompute the path any time an edge cost changes
- ▶ **Lifelong Planning A* (LPA*):**
 - ▶ Assumes edge costs change over time but the robot has not actually moved yet
 - ▶ Recomputes the path from start to goal while reusing as much information as possible
- ▶ **D* and D* Lite:**
 - ▶ The robot starts moving on the path to goal and updates edge costs along the way as the sensors observe new obstacles or free areas
 - ▶ Recomputes the path from the current node to the goal while reusing as much information as possible
- ▶ Many other variations: Anytime D*, Field D*, Theta*, ...

Motivation for Incremental Search

- ▶ Optimal g -values for a backwards search:

14	13	12	11	10	9	8	7	6	6	6	6	6	6	6	6	6	6	6	6
14	13	12	11	10	9	8	7	6	5	5	5	5	5	5	5	5	5	5	5
14	13	12	11	10	9	8	7	6	5	4	4	4	4	4	4	4	4	4	4
14	13	12	11	10	9	8	7	6	5	4	3	3	3	3	3	3	3	3	3
14	13	12	11	10	9	8	7	6	5	4	3	2	2	2	2	2	2	2	3
14	13	12	11	10	9	8	7	6	5	4	3	2	1	1	1	1	2	3	3
14	13	12	11		9														
14	13	12	11	10	9	8	7	6	5	4	3	2	2	2	2	2	2	2	3
14	13	12	11	10	9														
14	13	12	11	10	10														
14	13	12	11	11	11														
14	13	12	12	12	12														
					13														
18	16	16	15	14	14														

(a) cost of least-cost path to τ initially

14	13	12	11	10	9	8	7	6	6	6	6	6	6	6	6	6	6	6	6
14	13	12	11	10	9	8	7	6	5	5	5	5	5	5	5	5	5	5	5
14	13	12	11	10	9	8	7	6	5	4	4	4	4	4	4	4	4	4	4
14	13	12	11	10	9	8	7	6	5	4	3	3	3	3	3	3	3	3	3
14	13	12	11	10	9	8	7	6	5	4	3	2	2	2	2	2	2	2	3
14	13	12	11	10	9	8	7	6	5	4	3	2	1	1	1	1	2	3	3
14	13	12	11		9														
					10														
15	14	13	12	11	11														
15	14	13	13	13	13														
15	14	14	14	14	14														
15	15	15	15	15	15														
					16														
21	20	19	18	17	17														

(b) cost of least-cost path to τ after a door turns out to be closed

- ▶ Can the g -values from the first search be re-used in the second search?
- ▶ Would the number of changed g -values be different for forward A*? 29

Map Changes and Underconsistent Nodes

- ▶ So far, `ComputePath()` only distinguishes consistent and overconsistent nodes, i.e., $v_i \geq g_i$
- ▶ Edge cost increases may introduce **underconsistent nodes** ($v_i < g_i$) which violates the `ComputePath()` **invariant**: $g_j = \min_{i \in \text{Parents}(j)} v_i + c_{ij}$
- ▶ **Idea**:
 1. Fix all underconsistent nodes by setting $v_i = \infty$, which makes them either overconsistent or consistent
 2. Propagate the changes to maintain the **invariant**:
 $g_j = \min_{i \in \text{Parents}(j)} v_i + c_{ij}$
- ▶ **Additional f -value requirement**: For a consistent or overconsistent node i that can belong to some path from s to τ , we require that all underconsistent nodes j that could be on a path from s to i are expanded before i , i.e., $key_i > key_j$

$$key_i = [\min\{g_i, v_i\} + \epsilon h_i; \min\{g_i, v_i\}] \quad (\text{second value for tie breaking})$$

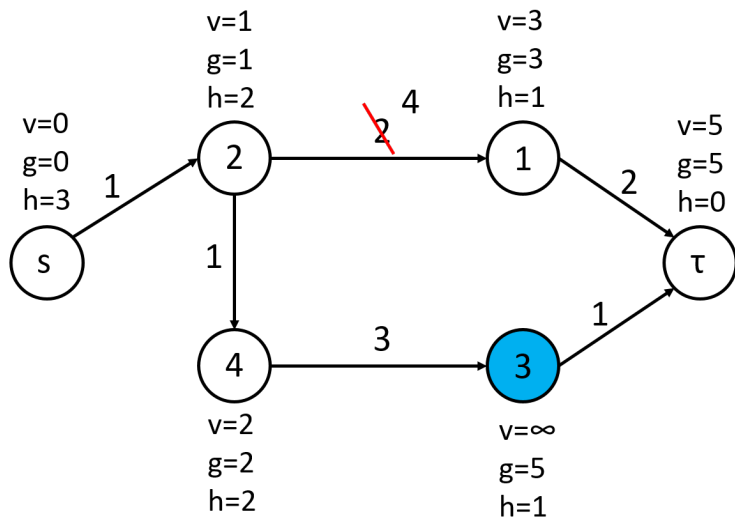
Lifelong Planning A*

Algorithm 3 LPA* ComputePath()

```
1: function UPDATEMEMBERSHIP(i)
2:   if  $v_i \neq g_i$  then
3:     if  $i \notin \text{CLOSED}$  then Insert/Update i in OPEN with keyi;
4:   else
5:     if  $i \in \text{OPEN}$  then Remove i from OPEN
6: function COMPUTEPATH()
7:   while  $key_\tau > \min_{j \in \text{OPEN}} key_j$  or  $v_\tau < g_\tau$  do
8:     Remove i with smallest keyi from OPEN
9:     if  $v_i > g_i$  (overconsistent) then
10:       $v_i = g_i$ ; Insert i into CLOSED
11:      for  $j \in \text{Children}(i)$  do
12:        if  $g_j > (g_i + c_{ij})$  then
13:           $g_j \leftarrow (g_i + c_{ij})$ 
14:          UPDATEMEMBERSHIP(j)
15:      else (underconsistent)
16:         $v_i = \infty$ ; UPDATEMEMBERSHIP(i)
17:        for  $j \in \text{Children}(i)$  and  $j \neq s$  do
18:           $g_j = \min_{k \in \text{Parents}(j)} v_k + c_{kj}$ 
19:          UPDATEMEMBERSHIP(j)
```

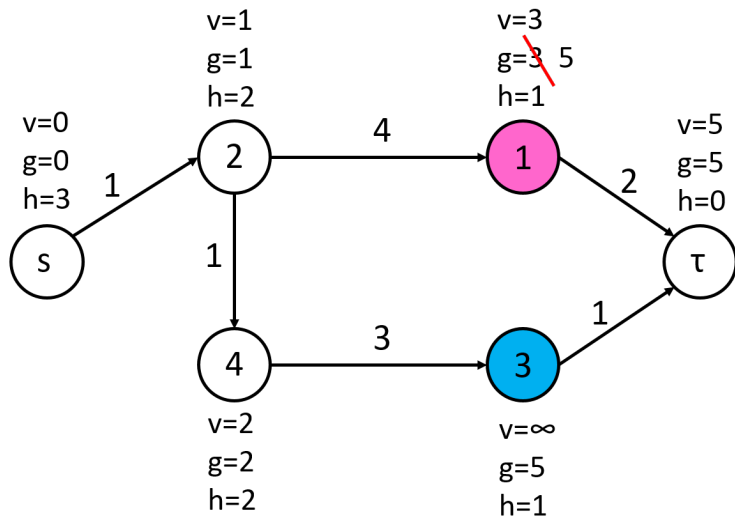
Example: Map Changes and Underconsistent Nodes

- ▶ Suppose that an edge cost changes
- ▶ Propagate the changes to maintain: $g_j = \min_{i \in \text{Parents}(j)} v_i + C_{ij}$



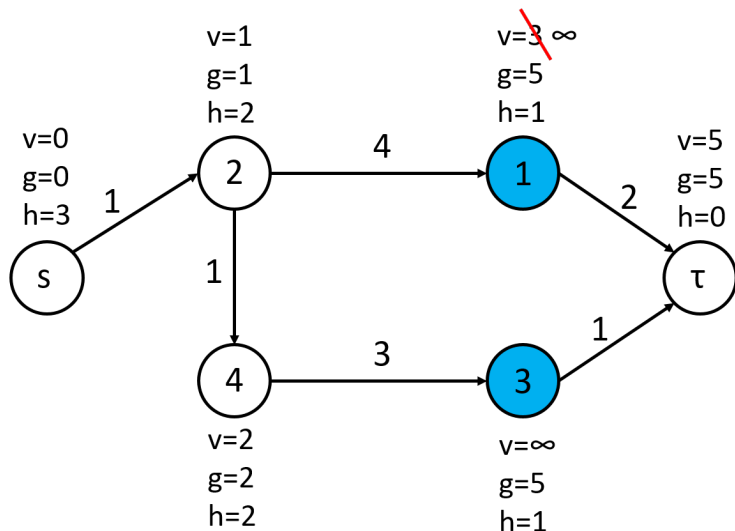
Example: Map Changes and Underconsistent Nodes

- ▶ This may introduce underconsistent nodes ($v_i < g_i$)
- ▶ OPEN = {1, 3}, CLOSED = {s, 2, 4, τ }
- ▶ Next to expand: 1 (underconsistent)



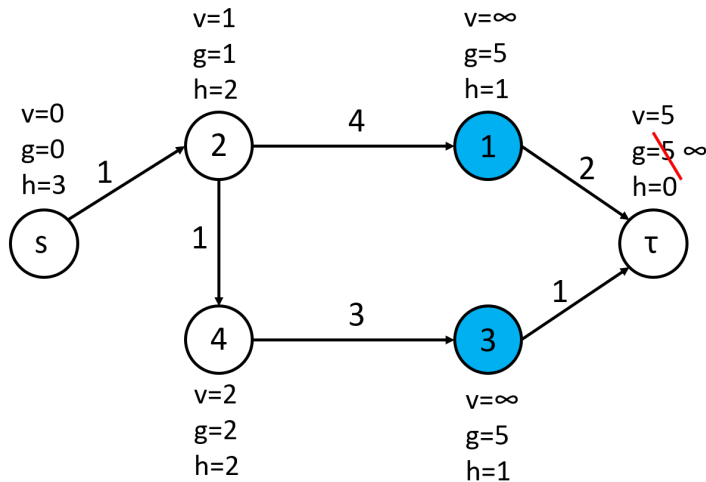
Example: Map Changes and Underconsistent Nodes

- Fix the underconsistent node by setting $v_1 = \infty$ and reinsert in OPEN



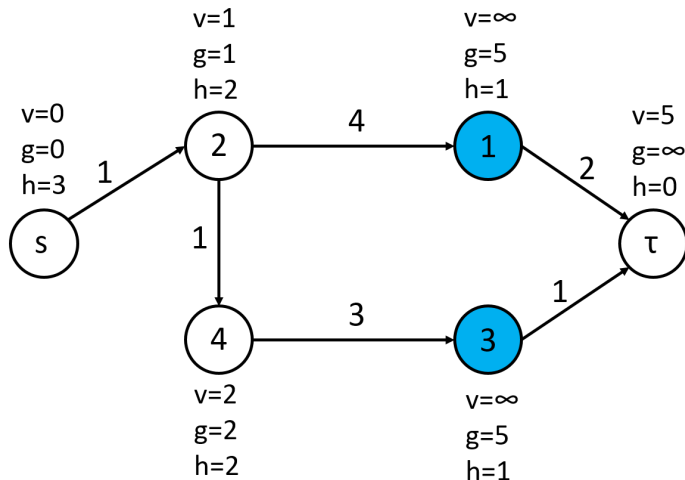
Example: Map Changes and Underconsistent Nodes

- ▶ Propagate the changes to maintain: $g_j = \min_{i \in \text{Parents}(j)} v_i + c_{ij}$



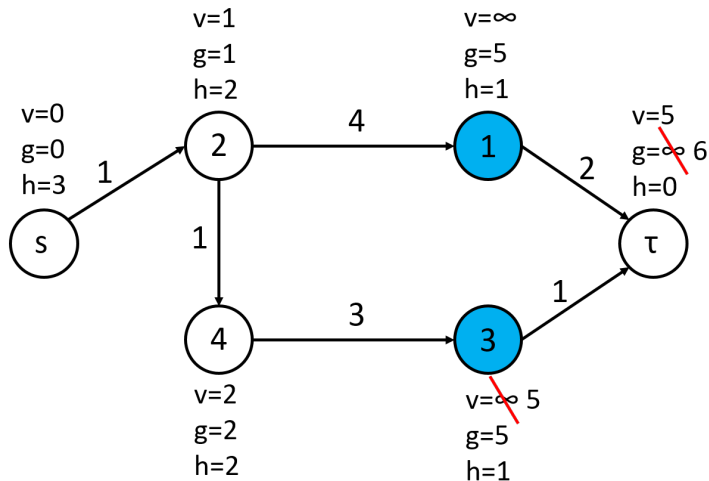
Example: Map Changes and Underconsistent Nodes

- ▶ OPEN = {1, 3}, CLOSED = {s, 2, 4, τ }
- ▶ Next to expand: 3 (overconsistent)



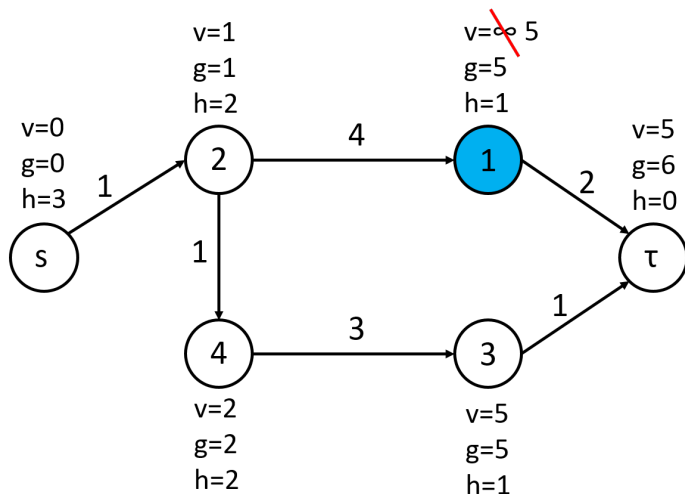
Example: Map Changes and Underconsistent Nodes

- ▶ Expand 3 and insert in CLOSED



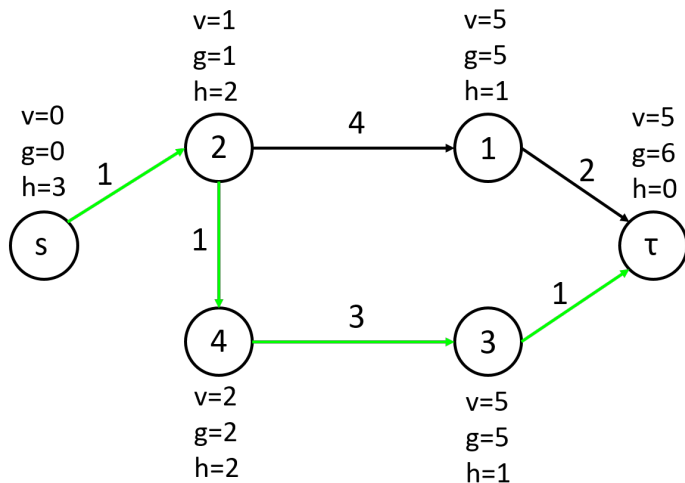
Example: Map Changes and Underconsistent Nodes

- ▶ OPEN = {1}, CLOSED = {s, 2, 4, τ , 3}
- ▶ Next to expand: 1 (overconsistent)



Example: Map Changes and Underconsistent Nodes

- ▶ Done. Backtrack the optimal path.



Anytime and Incremental Planning

- ▶ Decrease ϵ and update edge costs at the same time
- ▶ Re-compute a path by reusing previous g values

Algorithm 5 Anytime D*

```
1: Set  $\epsilon$  to large value
2: repeat
3:   ComputePath() ▷ Modified to fix underconsistent nodes
4:   Publish  $\epsilon$ -suboptimal path
5:   Follow the path until the map is updated with new sensor information
6:   Update the corresponding edge costs
7:   Set  $\tau$  to the current state of the agent
8:   if Significant changes were observed then
9:     Increase  $\epsilon$  or replan from scratch
10:  else
11:    Decrease  $\epsilon$ 
12: until  $\tau$  is reached
```
